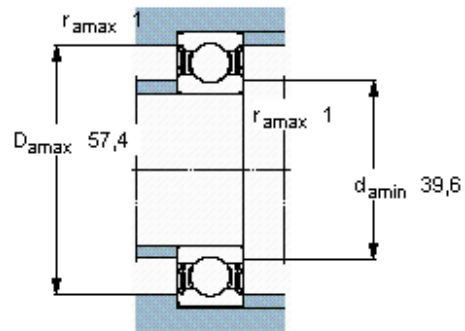
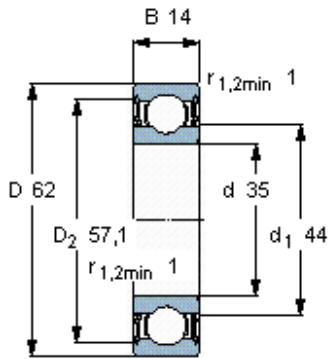


Deep groove ball bearings, single row, stainless steel

Principal dimensions			Basic load ratings		Speed ratings	Limiting speed	Designation
d	D	B	dynamic C	static C0	Reference speed		
mm			kN		r/min		-
35	62	14	13,8	10,2	-	7000	W 6007-2RS1



Calculation factors

k_r 0,025
f₀ 15